

ON-ROAD/OFF-ROAD

R-9777 Rooftop

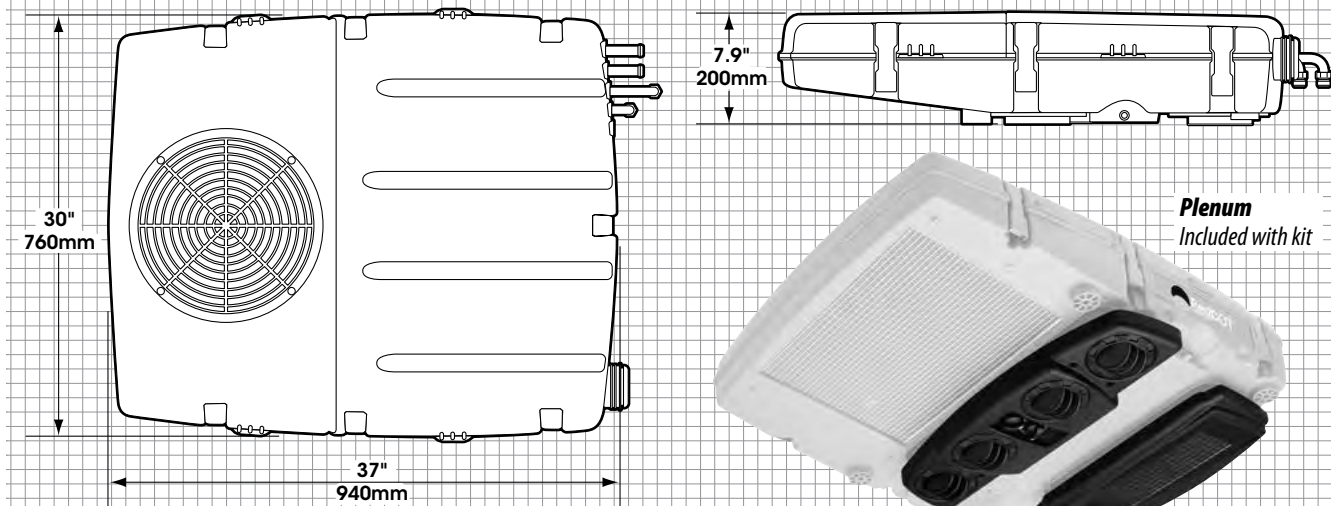
Heater/Air Conditioner

**CONSTRUCTION •
MINING •
AGRICULTURE**



The R-9777 rooftop unit packages high-performance heating and cooling capacity into a tough, sleek engineered-resin housing. At just 7.9 inches high and 65 lbs., it has the low profile and low weight necessary for installation and durability on many equipment cabs. Optional equipment includes a remote-mount filter and in-line booster blower for a pressurized, dust-free cab.

HEATER-A/C



R-9777 SPECIFICATIONS

| | | |
|---------------------|--|--|
| BTUs | Heating – 45,000 BTU/Hr @ 100°F (13.2 kW @ 37.8°C) air temperature rise Cooling – 25,000 BTU/Hr with 36°F (7.3 kW with 2.2°C) refrigerant temperature and 80°F (26.7°C) wet bulb entering air | |
| AIR FLOW | 355 CFM (580 m ³ /h) | |
| WEIGHT | 65 lbs. | |
| MOTORS | Evaporator – One 12 VDC, three speed (24 VDC available) | Condenser – One 12 VDC, low profile (24 VDC available) |
| CURRENT DRAW | 38.2 amps @ 13.6 VDC (includes 4 amps for A/C clutch) 19.1 amps @ 27.2 VDC (includes 2 amps for A/C clutch) | |

R-9777 SYSTEM ORDERING GUIDE

| | R-134a | NOTES |
|-------------------------|--|---|
| UNITS | R-9777-0P R-9777-0-24P R-9777-1P R-9777-1-24P | Heater A/C 12VDC Heater A/C 24VDC A/C Only 12VDC A/C Only 24VDC |
| CONDENSER | Contained in the R-9777 | |
| INSTALLATION KIT | 78R1805 | Refrigerant hose, fittings and hardware. |
| OPTIONS | Remote Mount Filters ** Replacement Filters Replacement Gasket Kit In-Line Booster Pressurizers * Replacement Receiver Drier | 78R5100 (Horizontal) 78R5110 (Vertical) 78R5210 (Remote Mount) RD-3-10210-0P 73R9202 (12 VDC) For use with Remote Mount Filters 73R9204 (24 VDC) 74R2546, 74R2590 |
| COMPRESSOR | Requires compressor and mounting kit | See 75 Series Compressor section on page 329 |

* Booster Pressurizer Can Only Be Used With Remote Mount Filters

** Must be used with In-line Booster Pressurizer