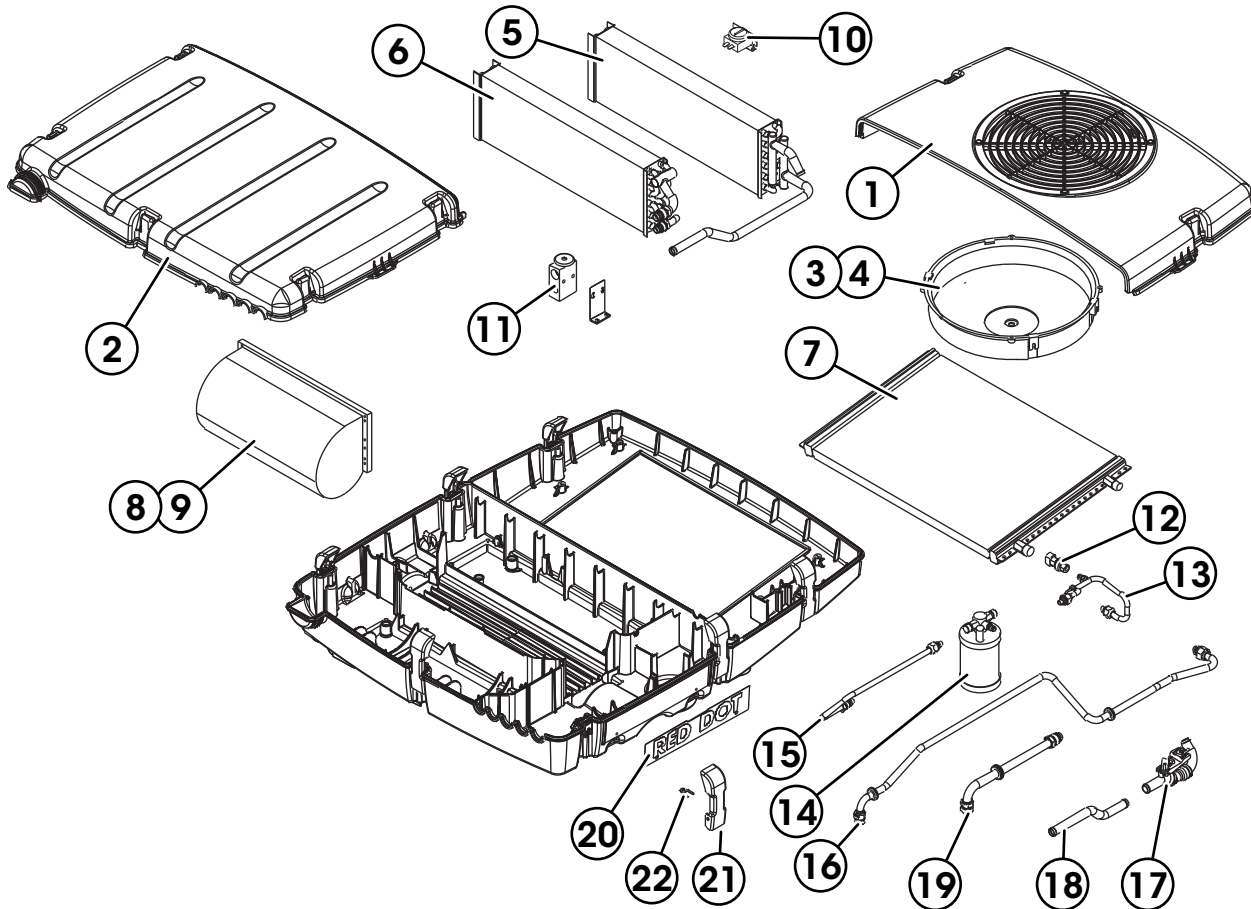


Heater Air Conditioner Model R-9777-0,-1

SERVICE PARTS LIST



| ITEM | NOTE | PART NO. | DESCRIPTION | CAT. NO. |
|------|------|---------------|-------------------------------------|----------|
| 1 | | RD-3-9135-0P | Cover - Condenser - Gray | |
| 2 | | RD-3-9152-0P | Cover - Evaporator - Gray | |
| 3 | | RD-5-9076-2P | Fan/Motor Assembly, 12v | 73R8642 |
| 4 | | RD-5-9076-3P | Fan/Motor Assembly, 24v | 73R8644 |
| 5 | | RD-4-5378-0P | Condenser | 77R1290 |
| 6 | | RD-1-1755-0P | Heater Core Assembly | 76R1560 |
| 7 | | RD-2-3413-0P | Evaporator Assembly | 76R5820 |
| 8 | | RD-5-8583-0P | Motor Blower Assembly, 12v | 73R5552 |
| 9 | | RD-5-8583-1P | Motor Blower Assembly, 24v | 73R5554 |
| 10 | | RD-5-4531-24P | Thermostat - Side & Btm Mnt | 71R3200 |
| 11 | | RD-5-9513-0P | Expansion Valve | 71R8380 |
| 12 | | RD-5-9577-0P | Pressure Switch | 71R6150 |
| 13 | | RD-2-3418-0P | Tube - #6 Receiver Drier - Cond | |
| 14 | | RD-5-9419-1P | Receiver Drier, R134a | 74R2590 |
| 15 | | RD-2-3419-0P | Tube - #6 Condenser | |
| 16 | | RD-4-5453-0P | Tube Assembly - Inlet Cond | |
| 17 | | RD-5-9224-1P | Water Valve - Cable Operated | 72R5285 |
| 18 | | RD-1-1896-0P | Tube - Heater | |
| 19 | | RD-2-3416-0P | Tube Assembly - Outlet | |
| 20 | | RD-3-9144-0P | Placard | |
| 21 | | RD-3-9405-0P | Latch - Over Center Assembly - Gray | |

| ITEM | NOTE | PART NO. | DESCRIPTION | CAT. NO. |
|------|------|-------------------|--|----------|
| 22 | | RD-3-9406-0M | Retainer - Latch Pivot | |
| 23 | A | RD-5-5260-0-.500M | Screw - #8 Plastite Hex HD. | |
| 24 | A | RD-5-5261-0-.750M | Screw - #12 Plastite Hex HD. | |
| 25 | A | RD-3-9608-0P | Wire Harness Assembly | |
| 26 | A | RD-3-12929-0P | Wire Harness Assembly (Cat Only) | |
| 27 | A | RD-5-6690-0P | Relay 12v | 71R1902 |
| 28 | A | RD-5-6693-0P | Relay 24v | 71R1904 |
| 29 | A | RD-3-9137-0P | Converter Control | |
| 30 | A | RD-3-9142-0P | Plenum - Outlet | |
| 31 | A | RD-5-9053-0P | Louver | 72R3140 |
| 32 | A | RD-5-10934-0P | Switch - Rotary 3 Speed | 71R1163 |
| 33 | A | RD-5-8967-0P | Switch - Rocker Black | 71R0840 |
| 34 | A | RD-5-8812-0P | Knob - Rotary Control | 71R4015 |
| 35 | A | RD-5-9077-1P | Filter - Recirc | 78R5410M |
| 36 | A | RD-5-12203-0P | Cover - Recirc Filter | |
| 37 | A | RD-5-9437-0P | Resistor (For 12v) | 71R1402 |
| 38 | A | RD-5-9445-0P | Resistor (For 24v) | 71R1401 |
| 39 | A | RD-3-9388-0P | Plenum - Outlet Assembly (Heater- A/C) | |
| 40 | A | RD-3-9388-1P | Plenum - Outlet Assembly (A/C) | |
| 41 | A | RD-3-9389-0P | Plenum Recirc. Assy. | |

NOTES: A= Not shown

RED DOT CORPORATION

P.O.Box 58270 Seattle, WA 98138 (206) 575-3840 AMCustomerService@RedDotCorp.com

RD-3-9141-0 (REV J)

FOR REFERENCE ONLY. SUBJECT TO CHANGE WITHOUT NOTICE