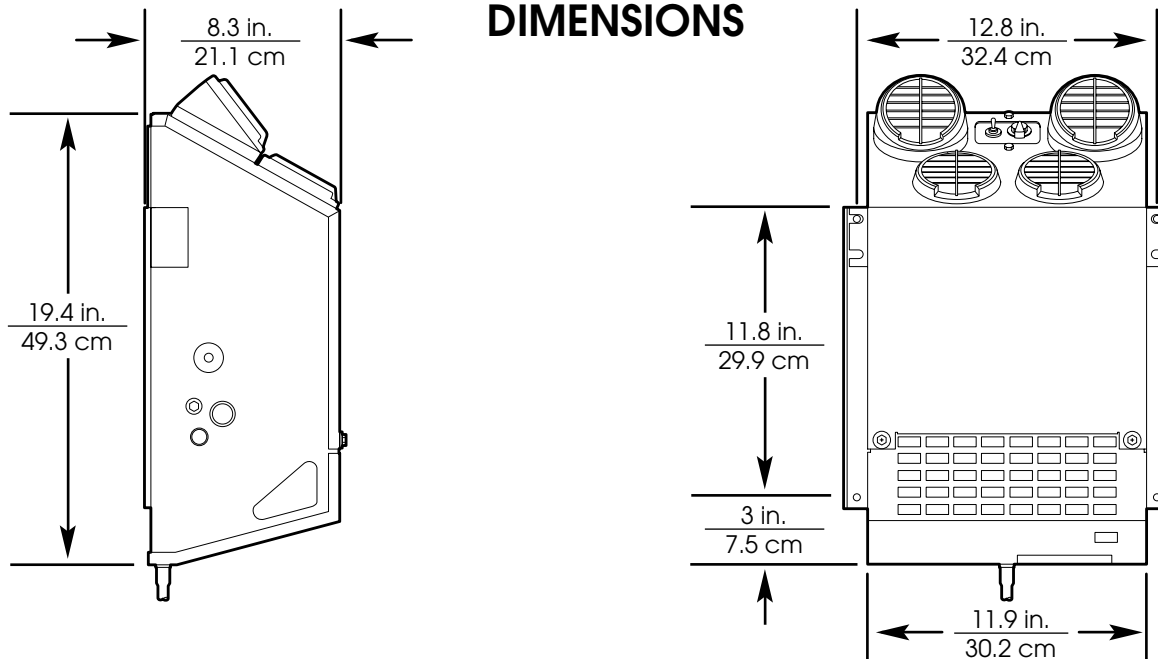




R-134a Compatible

Red Dot Air Conditioner R-7830 Series

TECHNICAL SALES BULLETIN AND SERVICE PARTS LIST

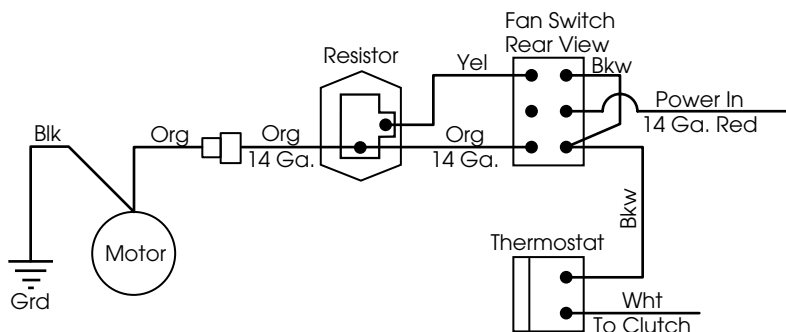


SPECIFICATIONS

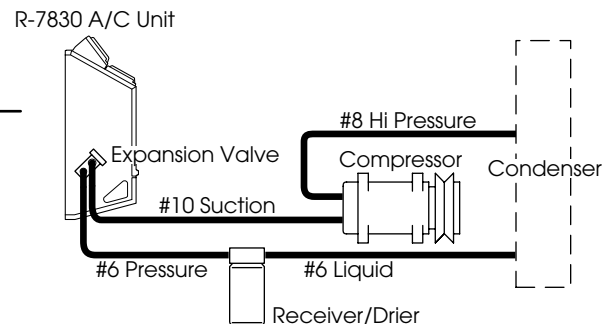
BTU's:	17,180 BTU/Hr with 36°F (4329 kcal/h w/2.2°C) Refrigerant Temp. and 80°F (26°C) Wet Bulb Entering Air
Air Flow:	260 CFM (442 m ³ /h)
Weight:	25 Lbs. (11 Kg)
Current Draw:	18 Amps @ 13.6 V.D.C. (Includes 4 Amps for A/C Clutch) 9 Amps @ 27.2 V.D.C. (Includes 2 Amps for A/C Clutch)

SCHEMATICS

ELECTRICAL SCHEMATIC



PLUMBING SCHEMATIC



Use 30 Amp fuse or breaker (customer supplied).
 WARNING: Unit warranty void if fused power source not used.