

**ON-ROAD**

# R-2000 Headliner

## Air Conditioner Unit

TRUCKS • REFUSE • VANS • RV

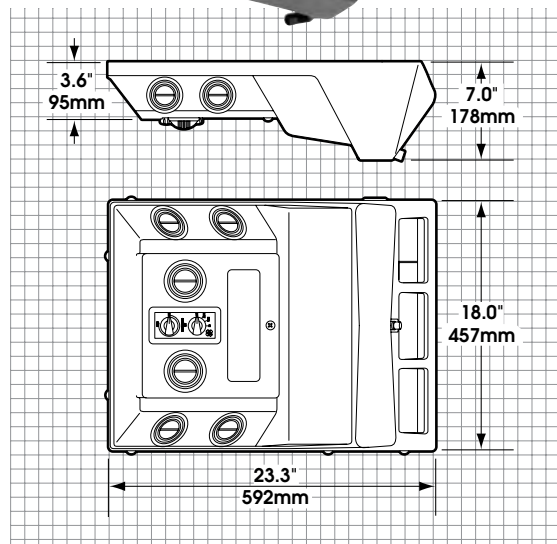
With a low profile and small footprint, the R-2000 can be mounted in virtually any cab and oriented in whatever direction suits your space. The R-2000 is also an effective auxiliary cooling unit in vans, motor homes, and small delivery vehicles.



HEATER-A/C

### R-2000 SPECIFICATIONS

<b>BTUS</b>	Cooling – 17,000 BTU/Hr @ 36°F (5 kW @ 2.2°C) refrigerant temperature and 80°F (26.7°C) wet bulb entering air
<b>AIR FLOW</b>	235 CFM (400 m <sup>3</sup> /h)
<b>WEIGHT</b>	24 lbs. (11 kg)
<b>CURRENT</b>	18.5 amps @ 13.6 VDC (includes 4 amps for A/C clutch)
<b>DRAW</b>	9.3 amps @ 27.2 VDC (includes 2 amps for A/C clutch)
<b>CONTROLS</b>	Three-speed fan, adjustable thermostat



### R-2000 SYSTEM ORDERING GUIDE

	R-134a	NOTES	
<b>UNITS</b>	R-2000-11P R-2000-11-24P	12 VDC 24 VDC	
<b>CONDENSER</b>	R-6160 77R0650	Roof Mount Universal	See page 448
<b>INSTALLATION KIT</b>	78R1070 78R1077 78R1027 78R1025	Rooftop condenser Rooftop condenser Front mount condenser Front mount condenser	ATCO version EZ Clip version EZ Clip version ATCO version
<b>COMPRESSOR</b>	Requires compressor and mounting kit		See 75 Series Compressor section on page 329