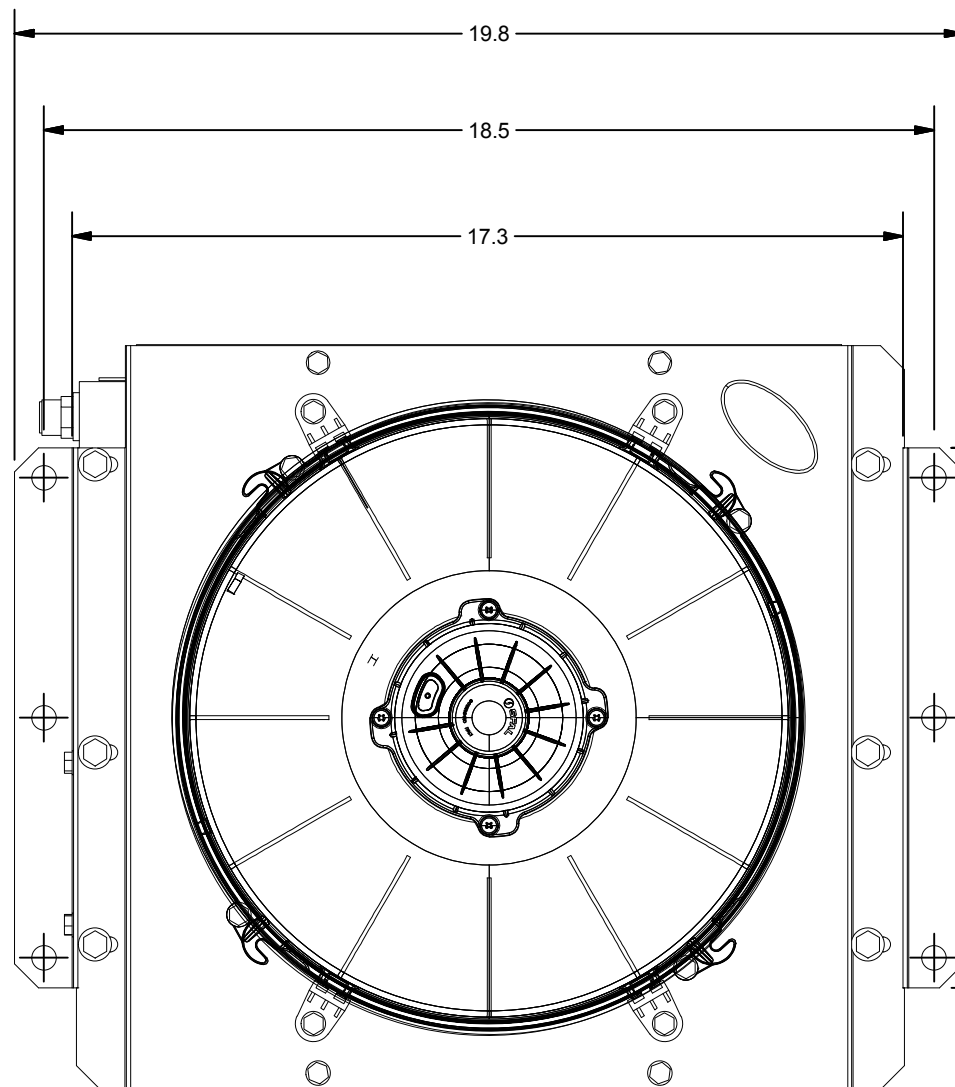
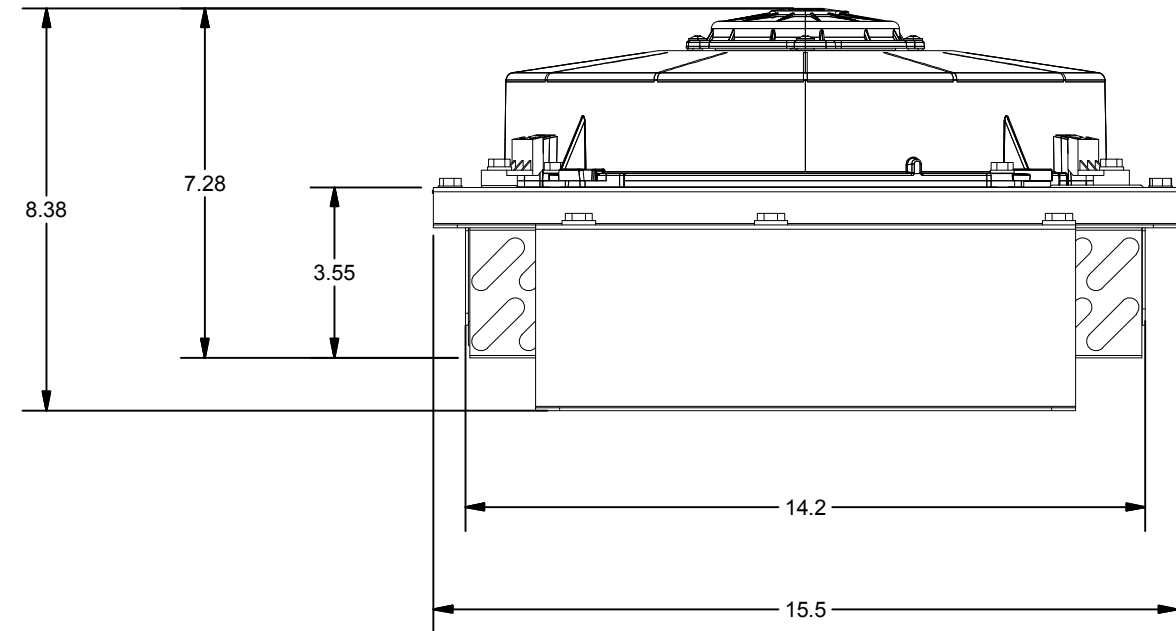
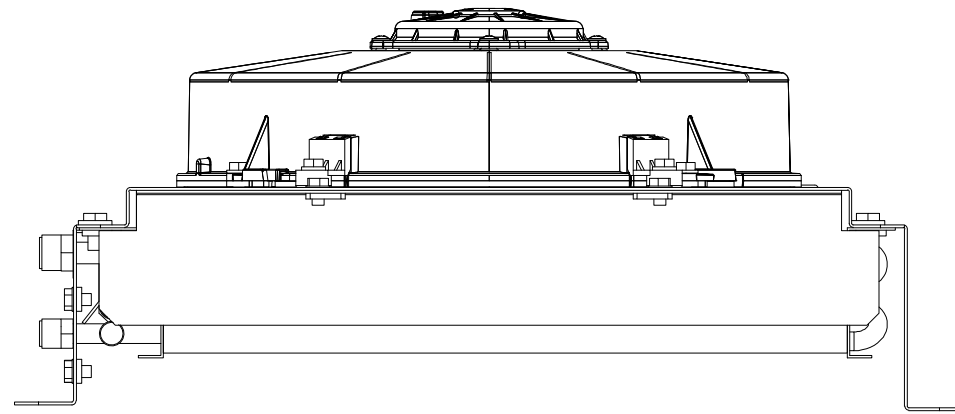
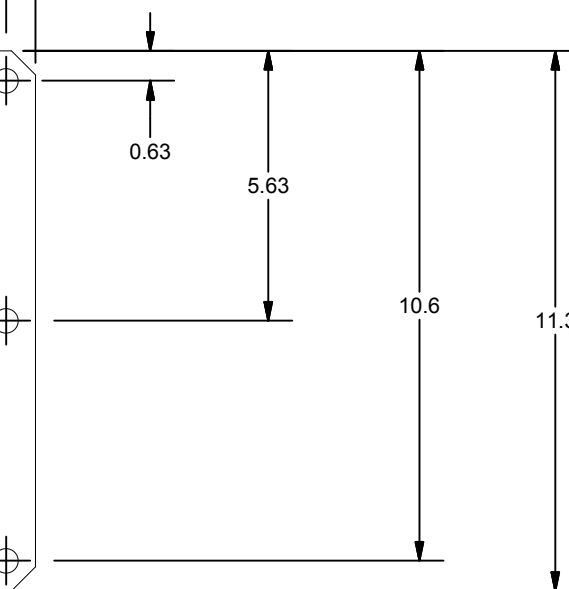



# 07-34002-HP FOOTPRINT AND MOUNTING INFORMATION



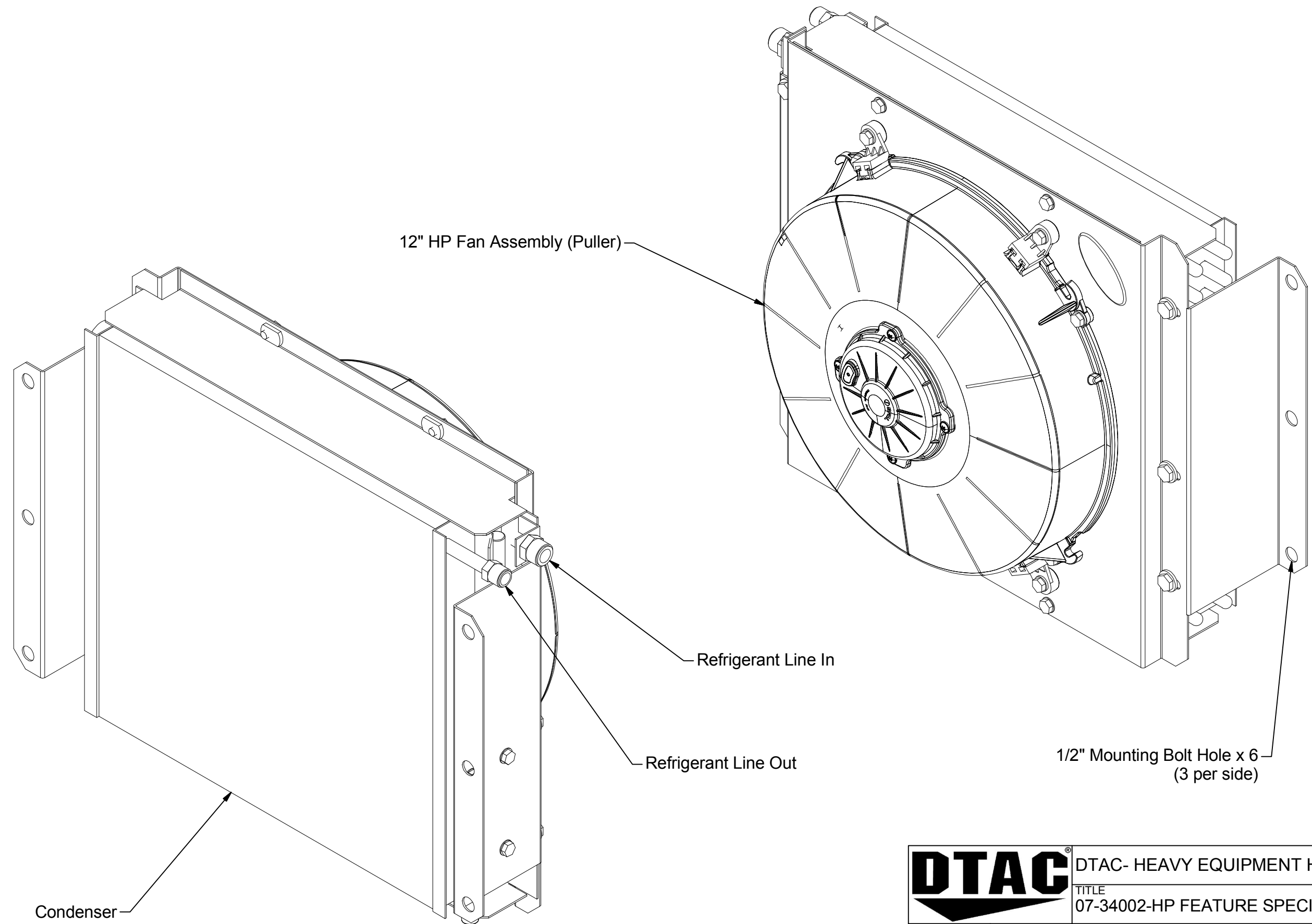
### Mounting Hole Spacing



Mounting Specifications	
Quantity	Description
6	1/2" DIA HOLE- NO THREADS

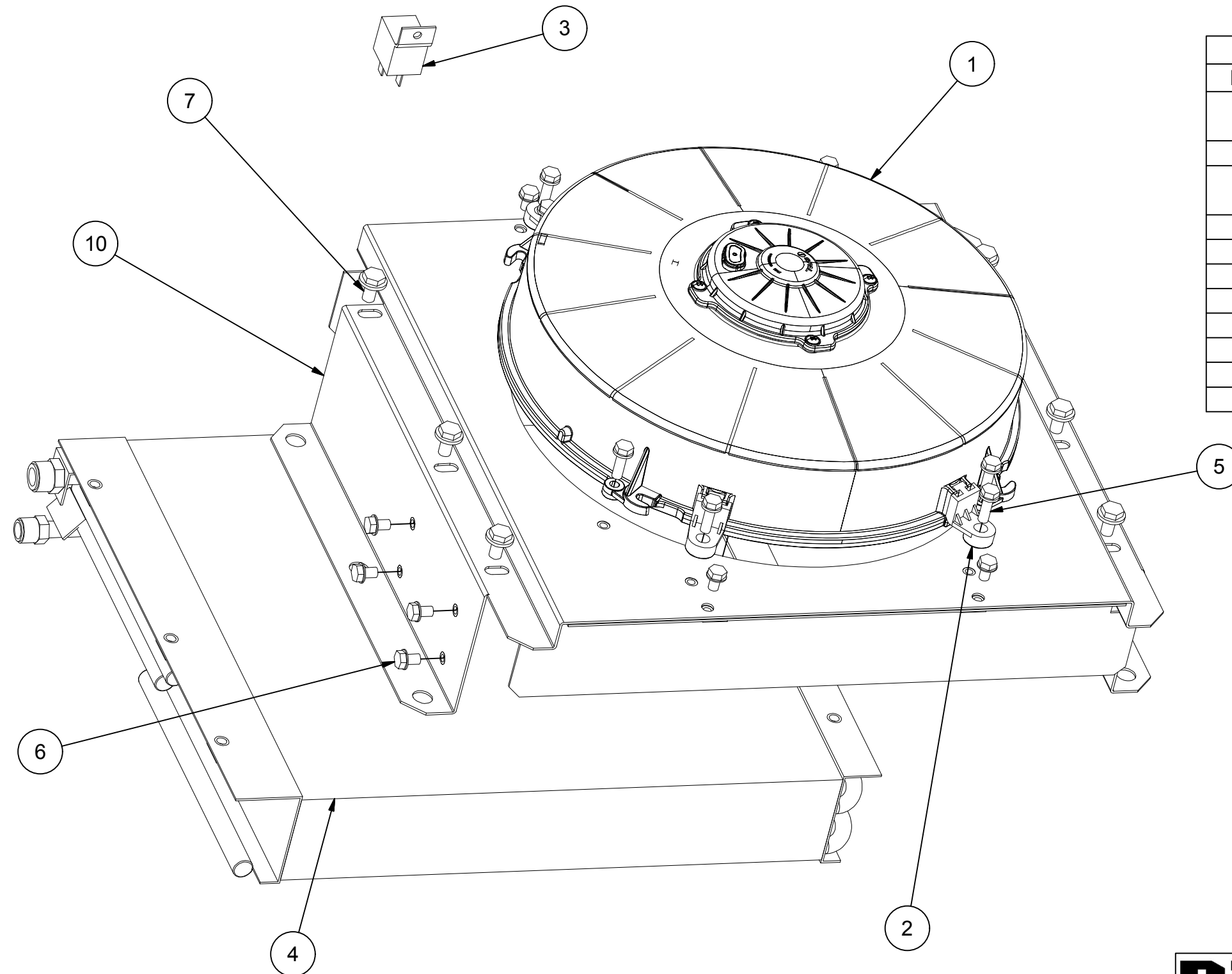
		DTAC- HEAVY EQUIPMENT HEAT/COOL SYSTEMS	
		TITLE 07-34002-HP FOOTPRINT AND MOUNTING INFORMATION	
MODELED JSHAW		DWG NAME 07-34002-HP Drawings.idw	
DRAWN jhamaker	8/18/2011	SIZE B	NOTE: ALL UNITS IN INCHES

# 07-34002-HP FEATURE SPECIFICATIONS



<b>DTAC</b> <sup>®</sup>		DTAC- HEAVY EQUIPMENT HEAT/COOL SYSTEMS	
		TITLE 07-34002-HP FEATURE SPECIFICATIONS	
MODELED JSHAW		DWG NAME 07-34002-HP Drawings.idw	
DRAWN jhamaker	8/18/2011	SIZE B	NOTE: ALL UNITS IN INCHES

# 07-34002-HP PARTS BREAKDOWN AND UNIT SPECIFICATIONS

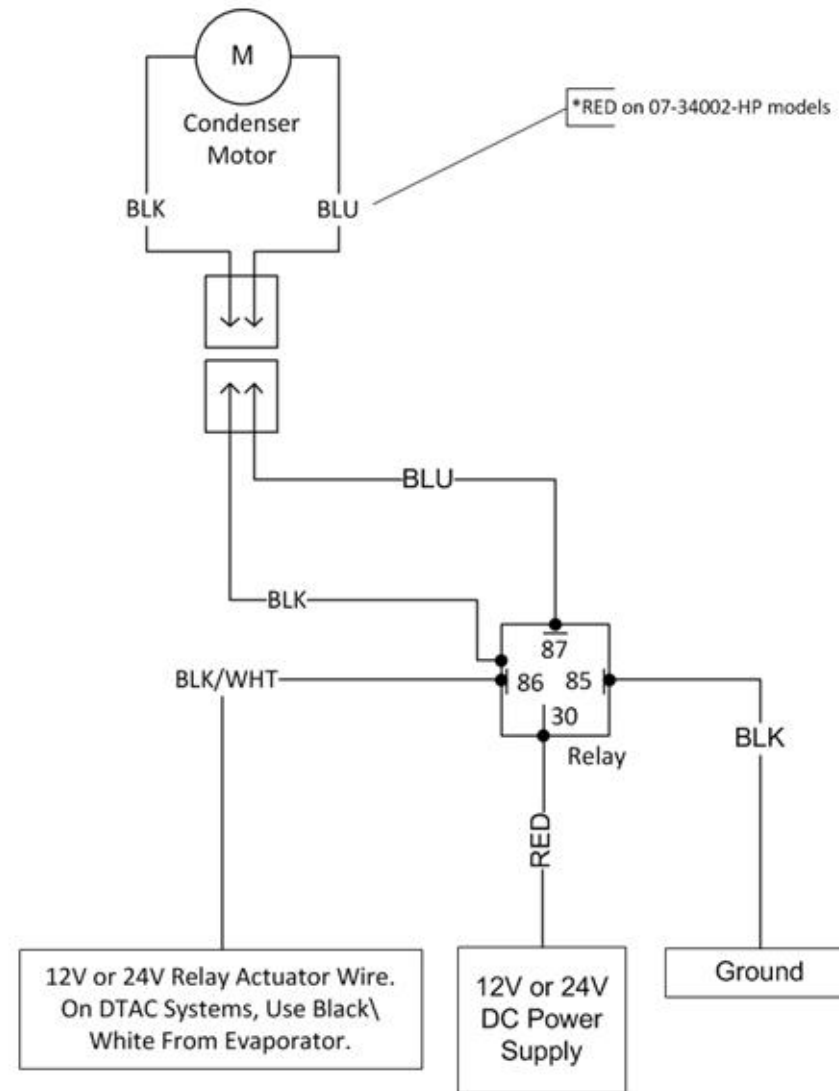


Parts Breakdown				
ITEM	QTY	DTAC NO.	DESCRIPTION	NOTE
1	1	02-4012S or 02-4012S-24	12V Fan, Puller 24V Fan, Puller	
2	4	02-50025	Mount Leg	
3	1	03-01702 or 03-01704	12V Relay 24V Relay	
4	1	07-00342	Coil	
5	8	12-00002	1/4-20 X 3/4 Whiz Flange Bolt	
6	8	12-00003	1/4-20 X 3/8 Bolt	
7	6	12-00045	5/16-18 X 1/2 Whiz Flange Bolt	
8	1	12-00096	DTAC Label, Raised Oval	1
9	1	12-00098	Wire Harness, Condenser	1
10	1	34-20000	Housing	
-	-	Note 1	Part not shown	

UNIT SPECIFICATIONS					
BTU'S COOL	AIR FLOW	WEIGHT	MOTOR	CURRENT DRAW	DTAC NO.
35,000	1500 CFM	18.5 LBS	1-12V	15.9 AMPS @ 13.6 VDC	07-34002-12HP
"	1500 CFM	"	1-24V	9.5 AMPS @ 26.8 VDC	07-34002-24HP

<b>DTAC</b> <sup>®</sup>	DTAC- HEAVY EQUIPMENT HEAT/COOL SYSTEMS	
	TITLE 07-34002-HP PARTS BREAKDOWN AND UNIT SPECIFICATIONS	
MODELED JSHAW	DWG NAME 07-34002-HP Drawings.idw	
DRAWN jhamaker	8/18/2011	SIZE B
		NOTE: ALL UNITS IN INCHES
		SHEET 3 OF 4

# 07-34002 Series Wiring Diagram



Manufacturer of Heavy Equipment Heat/Cool Systems  
5130 Edgefield Ln, TX 76065 USA  
Phone 1-800-527-9477 Fax 1-800-299-5972  
www.dtac.com

12-00098  
08.26.10